



## Main Features:-

- ◆ PN6/10/16/25 & ANSI 150
- ◆ Carbon Steel Body & Disc
- ◆ Stainless Steel Spring
- ◆ Rated PN25 2" to 4", PN16 5" to 8"
- ◆ Contact our Sales team for more info

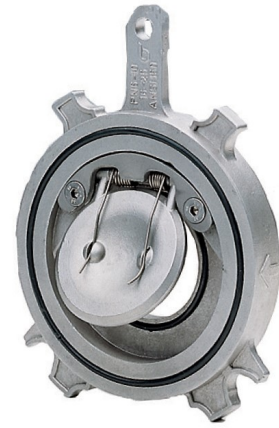
\*Temperature and pressure determined by valve body, seat etc.

## Suitable Applications & Approvals:



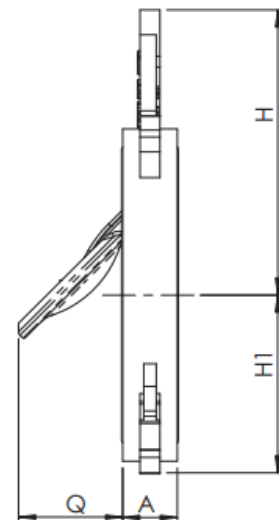
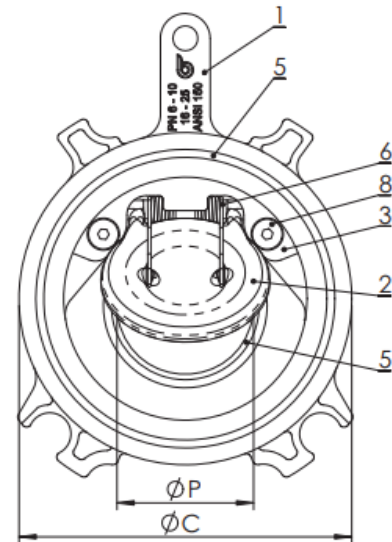
## SERIES: 30129-30131

MANUFACTURER: **AVOL**  
INDUSTRIAL VALVES



## Pressure/Temperature Rating

|             |                      |
|-------------|----------------------|
| Pressure    | PN25 1 1/4" to 8"    |
|             | PN16 10"             |
| Temperature | NBR -10°C to 100°C   |
|             | Viton -10°C to 150°C |
|             | PTFE -10°C to 200°C  |



VALVE DIMENSIONS

| No | Part    | Material           |
|----|---------|--------------------|
| 1  | Body    | WCB                |
| 2  | Disc    | WCB                |
| 3  | Plate   | CF8M               |
| 5  | O'Ring  | NBR (Viton/PTFE)   |
| 6  | Spring  | AISI 302           |
| 7  | Eyebolt | AISI 316           |
| 8  | Screw   | A2 Stainless Steel |

| Size   | P    | A    | C    | H     | H1  | Q   | Kg   |
|--------|------|------|------|-------|-----|-----|------|
| 1 1/4" | 20   | 16   | 77   | 83.5  | 45  | 18  | 0.43 |
| 1 1/2" | 26.5 | 16   | 86.5 | 88.75 | 49  | 21  | 0.54 |
| 2"     | 33   | 18.5 | 99   | 98.5  | 53  | 30  | 0.82 |
| 2 1/2" | 43   | 18.5 | 118  | 107   | 63  | 44  | 1.25 |
| 3"     | 53   | 22   | 134  | 115   | 73  | 56  | 1.86 |
| 4"     | 75   | 23.5 | 154  | 131   | 92  | 70  | 2.42 |
| 5"     | 96   | 29   | 184  | 138   | 119 | 80  | 3.1  |
| 6"     | 118  | 34.5 | 208  | 137   | 149 | 96  | 5.3  |
| 8"     | 164  | 36   | 264  | 169   | 167 | 125 | 8.5  |
| 10"    | 200  | 38   | 317  | 247   | 140 | 169 | 12.4 |

T +44 (0)1386 552369

E sales@allvalves.co.uk

W www.allvalves.co.uk

F +44 (0)1386 554227





AVOL valves are our range of industrial valves selected by our experienced technical sales team.

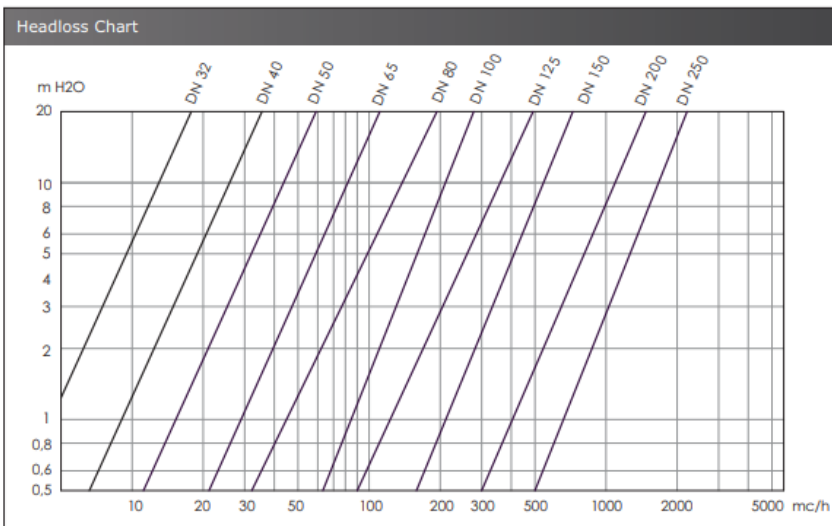
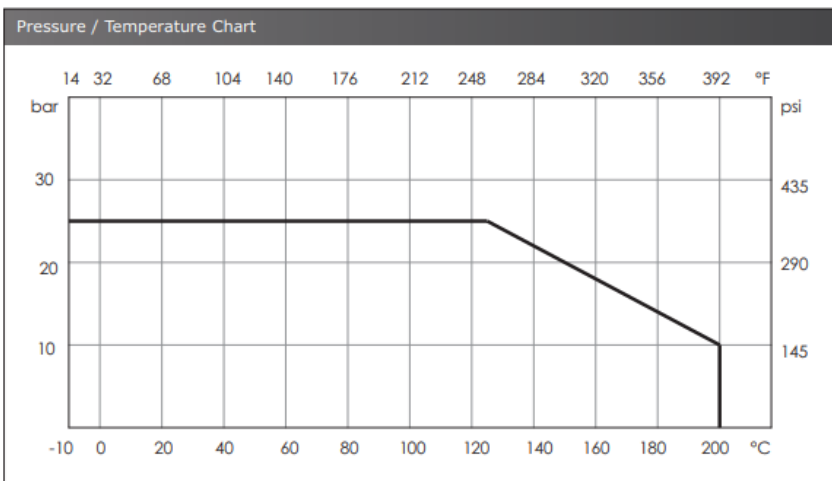
**SERIES: 30129-30131**

## Kv/ Cracking Pressure Information

Flow Direction / Spring Information / Cracking Pressure

| Size   | Kv   | ↑ With Spring | ⇒ With Spring | ↑ Without Spring |
|--------|------|---------------|---------------|------------------|
| 1 1/4" | 13   | 321           | 242           | 80               |
| 1 1/2" | 24   | 210           | 138           | 73               |
| 2"     | 41   | 194           | 126           | 70               |
| 2 1/2" | 75   | 198           | 130           | 70               |
| 3"     | 140  | 196           | 120           | 76               |
| 4"     | 208  | 174           | 106           | 68               |
| 5"     | 341  | 226           | 126           | 100              |
| 6"     | 525  | 230           | 130           | 100              |
| 8"     | 1093 | 244           | 136           | 110              |
| 10"    | 1670 | 260           | 138           | 122              |

## Pressure/Temperature Chart, Headloss Chart



VALVE DIMENSIONS



T +44 (0)1386 552369

E sales@allvalves.co.uk

W www.allvalves.co.uk

F +44 (0)1386 554227